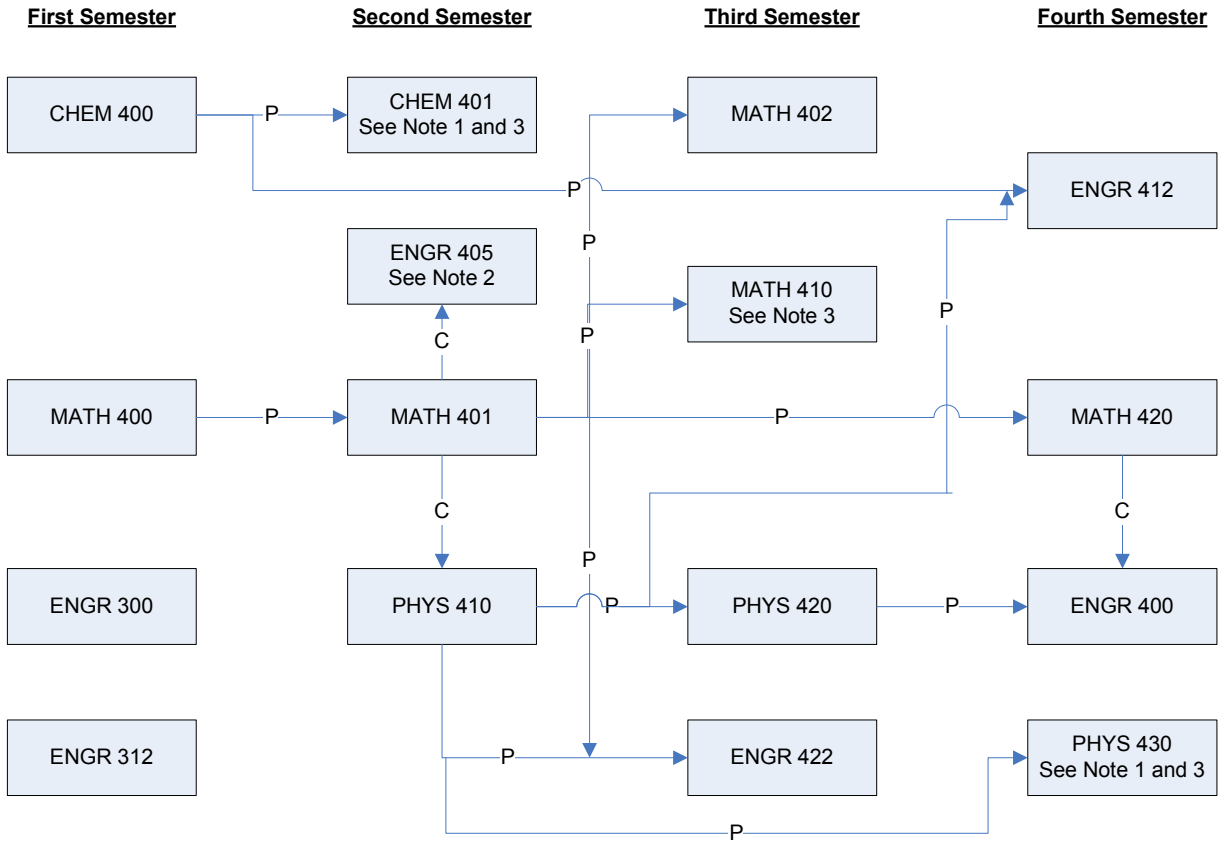


**Mechanical/Aeronautical
Engineering Course Flow**



Note 1: Take CHEM 401 or PHYS 430 depending on your transfer school

Note 2: Take ENGR 405 or CISP 360 depending on transfer school

Note 3: Take this course only if required by your transfer school

— C- Corequisite →

— P- Prerequisite →